

STP040-12/Rb

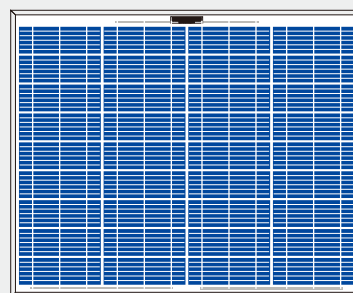
STP045-12/Rb

Suntech's STPRb features total efficiency of 12.6% Which delivers the maximum power output at peak hours. Ideal for off-grid and remote power systems. With a 25 year warranty, the module has high efficiency and long-lasting operating time even in a variety of rigorous conditions. Unique textured cell surface and bypass diode design is critical for the module to fully utilize and absorb sunlight and offer maximum usable power per square foot of solar array.

Features and benefits

- High efficiency
- Nominal 12 V DC for standard output
- Outstanding low-light performance
- High transparent low-iron, tempered glass
- Unique techniques give the panel following features: esthetic appearance, with stands high wind-pressure and snow load, and easy installation
- Unique technology ensure that problems of water freezing and warping do not occur
- Design to meet unique demand of customer
- 25 year power output warranty

High Efficiency, High Quality PV Module

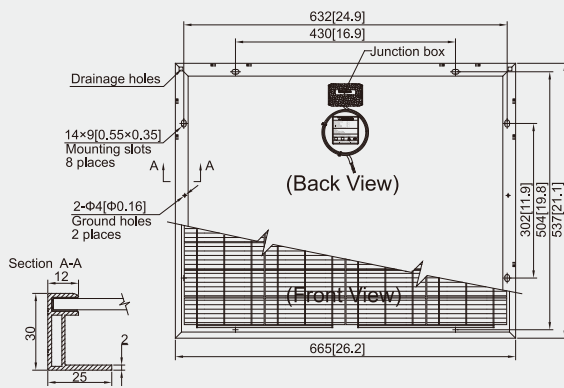


Electrical Characteristics

Model	STP045-12/Rb	STP040-12/Rb
Open-circuit voltage (Voc)	22V	21.8V
Optimum operating voltage (Vmp)	17.6V	17.4V
Short-circuit current (Isc)	2.79A	2.58A
Optimum operating current (Imp)	2.56A	2.3A
Maximum power at STC (Pmax)	45Wp	40Wp
Operating temperature	-40°C to +85°C	-40°C to +85°C
Maximum system voltage	715V DC	715V DC

STC: Irradiance 1000W/m², Module temperature 25°C, AM=1.5

Module Diagram



Note: mm[inch]

Specifications

Cell	Multicrystalline silicon solar cells 156mm×52mm
No. of cells and connections	36(4×9)
Dimension of module	537mm×665mm×30mm
Weight	4.5kg

Temperature Coefficients

NOCT	45°C±2°C
Short-circuit current temperature coefficient	(0.055±0.01) %/K
Open-circuit voltage temperature coefficient	-(75±10) mV/K
Peak power temperature coefficient	-(0.47±0.05) %/K
Power tolerance	±5%

NOCT: Nominal Operating Cell Temperature
(the data is only for reference)

Output

Cable	YUSHENG(18AWG×2C)
Lengths	3000mm

Characteristics

Module IV Graph 40W

